

SAVEMA 20 i&c&tr SERIES THERMAL TRANSFER OVERPRINTERS



53*70 I
53*125 I
53 C



Common Specifications for All Printers

Software: SAYASIS Template Design (Date and Time, Custom Formatted Date and Time, Text, Text Block, Merge Fields, Database Support, Counter, Logo, 1D / 2D Barcodes, GS-1 Barcodes, Table Creation Support and User-Friendly Interface)

Windows Driver Support, Teklynx Software (Code-soft, Labelview and Label Matrix Support), Emulator Support, Printer Management with SPPL (Savema Protocol) Commands, Printer Control with Remote Control)

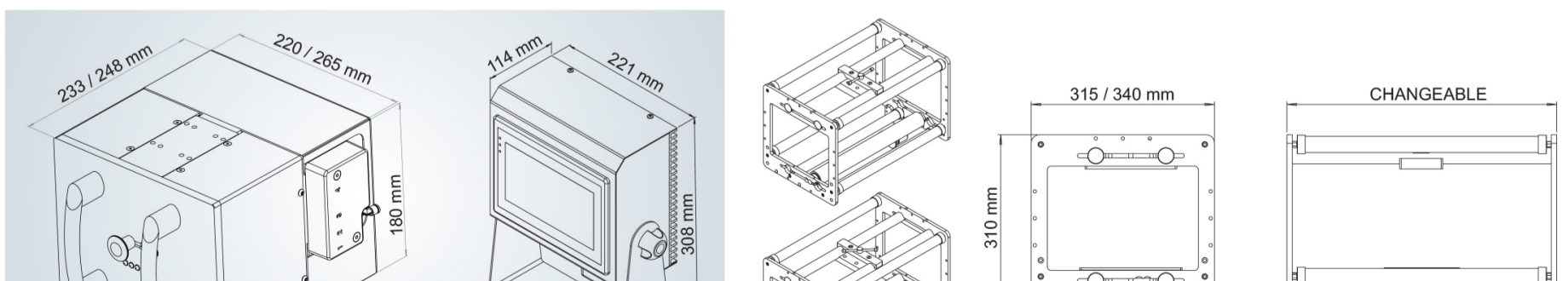
Barcodes: 1D Barcodes (EAN-13, EAN-8, CODE 128, CODE 39, CODABAR, ITF 2of5, ITF 14, UPC-A, UPC-E ...), 2D Barcodes (Datamatrix, QR Code, PDF417, Aztec code...), GS-1 Barcodes (GS1-128, GS1-Datamatrix, GS1-Databar Barcodes)

Resolution: 300dpi (12 dots/mm) horizontally and vertically

Operating Temperature: 1 °C - 55 °C (34°F-131°F)

Memory: 5000 Template Storage Capacity, 1GB Internal Memory, Up to 16GB SD Memory Card Support, Up to 32GB USB Memory Support

Specifications	53*70 I (Intermittent)	53*125 I (Intermittent)	53 C (Continuous)
Print Area	53 mm x 76 mm	53 mm x 125 mm	53 mm x 125 mm (Standard) 53 mm x 500 mm (Optional)
Print Speed	50 - 500 mm/sec	50 - 500 mm/sec	10 - 1000 mm/sec
Production	330 prints/min		500 prints/min
Ribbon Widths & Length	35mm, 55 mm (1,4" - 2,2") & 600 meters (656yards) loaded ribbon		
Power Supply	100-240V 50-60 Hz		
Air Supply (Bar)	Min. 1 bar - Max. 5 bar		
Input/Outputs	Print Signal/Fault Signal, Busy Signal		
Output Messages	Update Error, Contact Error, Ribbon Break / Not Found Error, Remaining Ribbon Quantity, Number of Printed Templates, Number of Prints per Minute	Missing Print Error, Encoder Error, Update Error, Contact Error, Ribbon Break / Not Found Error, Remaining Ribbon Quantity, Number of Printed Templates, Number of Prints per Minute	
Connection Types	Relay(NPN, PNP) - Photocell(NPN, PNP)		
Communications	RS-232, Ethernet, USB		
Ribbon Save Modes	Vertical & Horizontal Ribbon Save Modes		Vertical Ribbon Save Mode
Advanced Control	7" Touch Screen Control, Template Changing while Running, Print Position Adjustment, Contrast, Print Delay, Template-Specific Adjustment, Internal Contact Signal, Multi-print Contact Signal, Template Shifting, Template Rotation		7" Touch Screen Control, Template Changing while Running, Contrast, Print Delay, Template-Specific Adjustment, Internal Contact Signal, Multi-print Contact Signal, Template Shifting, Template Rotation
Operator Interface	7" 800x480 Pixels Resolution, Full-color display, Password protection on menus, Multi-language(18) support		
Weight (Printer)	9,4 Kg.	11 Kg.	8,9 Kg.
Dimensions	180mm H x 220mm W x 233mm D	180mm H x 248mm W x 265mm D	180mm H x 220mm W x 233mm D



TEL : 06 61 88 37 83 FIX : 05 22 44 60 44 Site Internet : www.casacoding.ma
Email : contact@casacoding.ma Siège : 100 bd Abdellah ben yacine Casablanca, Maroc, 20300